

ERF5051, RF cable, 300 mm, SMA-Female & U.FL

Features

Mechanical Properties

Parameter:	Description
Connector Type:	SMA Female & U.FL
Cable Length:	300 mm ± 10
Cable type:	Coaxial 1.13
Operating Temperature Range:	-55°C~+155°C
Storage Temperature Range:	-55°C~+155°C



Typical applications

- RF Cable assembly
- Antenna accessory

Electrical Properties

Parameter:	Description
Impedance:	50 Ohm
Frequency Range:	DC - 6 GHz
VSWR:	1.3 Max
Working Voltage:	500V rms @ sea level
Insulation Resistance:	5000 Ohms min.

Description

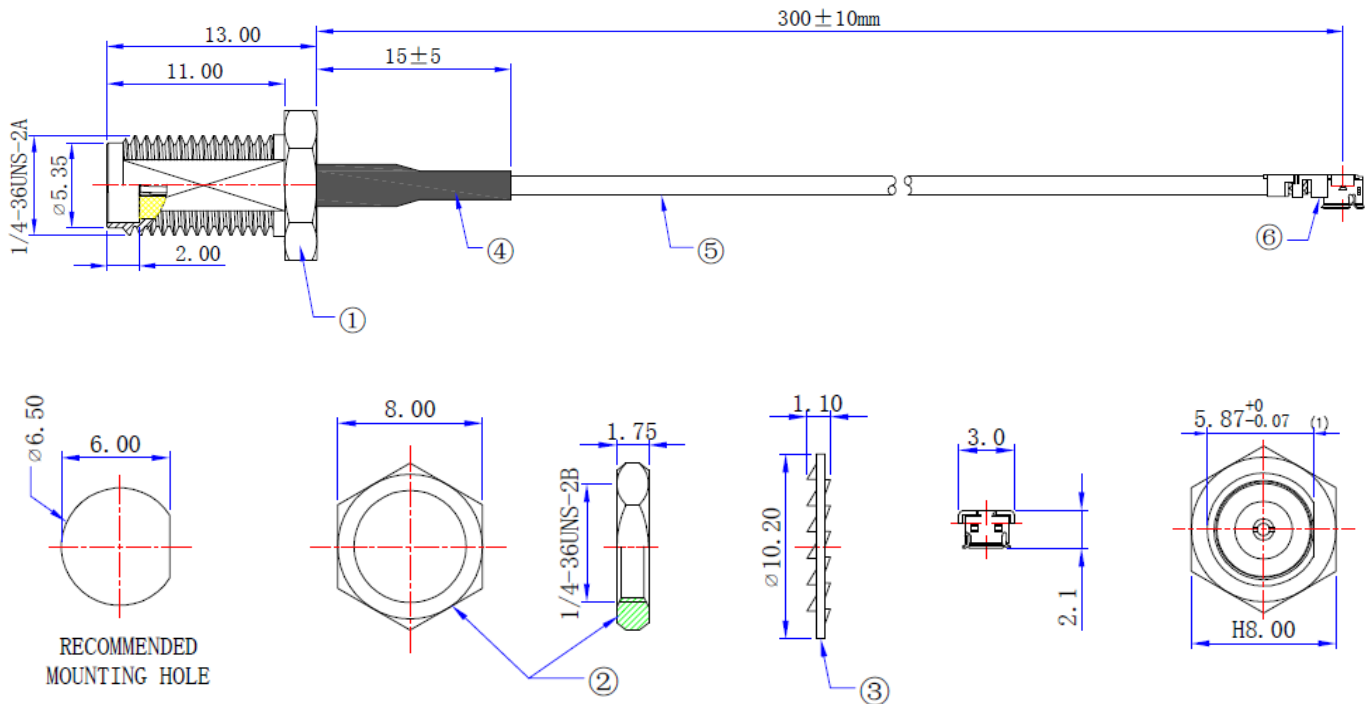
The ERF5051 is a RF-Cable suitable for RF applications. the cable has 1 SMA female connector, and 1 U.FL connector. It can be used for RF cable assemblies, and as an accessory for antenna's.

Dimensions

*unit: mm

Part	Description	Material	Finish
1	SMA Jack	Brass	Gold
2	NUT	Brass	Gold
3	Washer	Iron	Gold
4	Heat shrink tubing		Black
5	Cable	OD1.13	Gold
6	IPEX U.FL	Brass	Gold

ERF5051, RF cable, 300 mm, SMA-Female & U.FL



Connector



The ERF5051 uses a SMA Female and an U.FL connector.

Ordering information

Ordering can be done via www.summit-electronics.com or via info@summit-electronics.com. Please contact us for more information. Customisation of the product is available on request.

Technical support

For all product questions please contact us via info@summit-electronics.com